

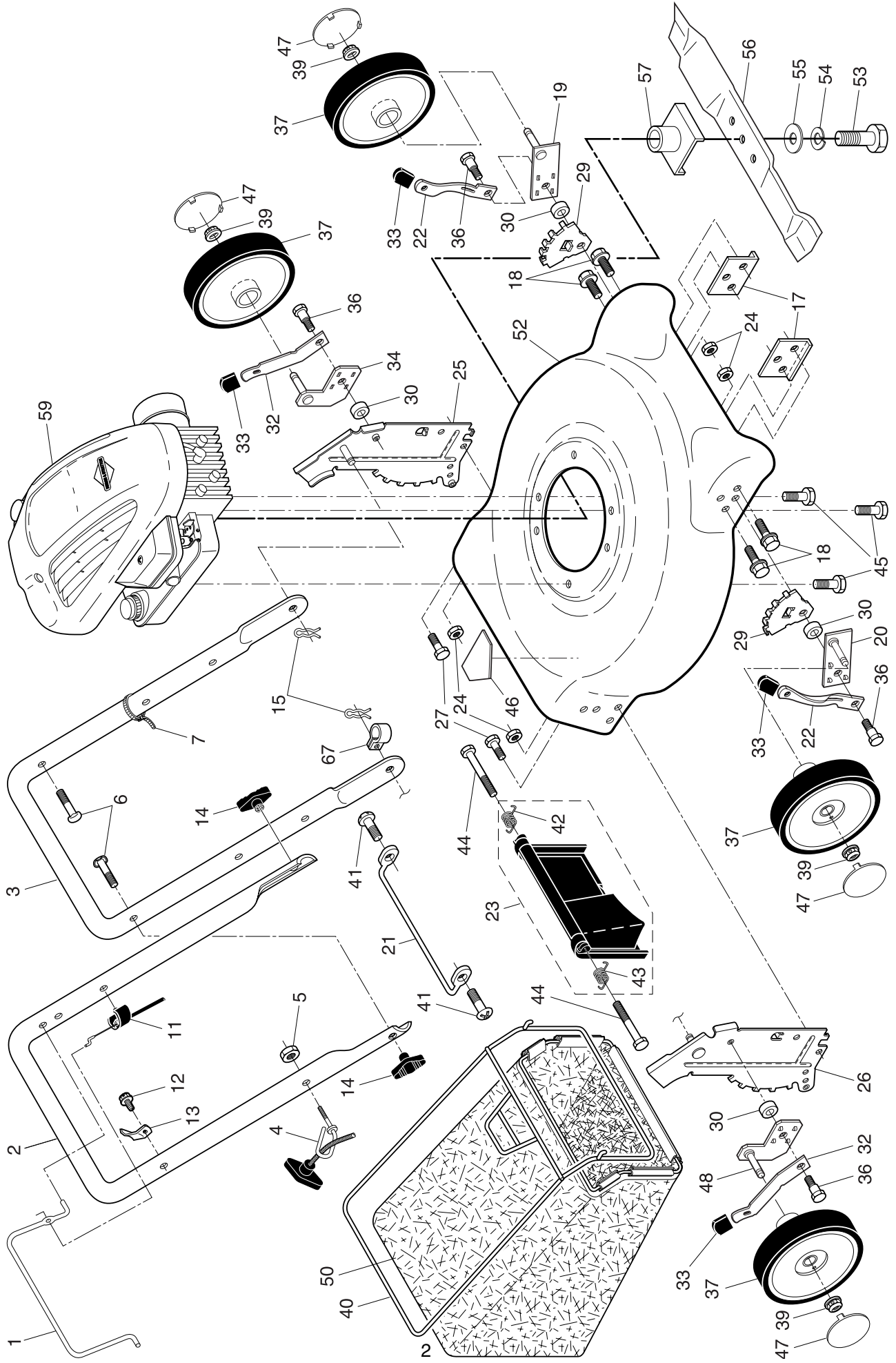
ILLUSTRATED PARTS LIST

CUSTOMER MODEL NUMBER 4553CM

PRODUCT NUMBER 961 31 00-01

MFG. ID. NUMBER 96131000100

ROTARY LAWN MOWER -- CUSTOMER MODEL NO. 4553CM (96131000100) PRODUCT NO. 961 31 00-01



ROTARY LAWN MOWER - - CUSTOMER MODEL NO. 4553CM (96131000100) PRODUCT NO. 961 31 00-01

KEY NO.	PART NO.	DESCRIPTION	KEY NO.	PART NO.	DESCRIPTION
1	532 19 55-74	Control Bar	37	532 14 35-93	Wheel & Tire Assembly
2	532 19 55-47	Upper Handle	39	532 08 39-23	Flanged Locknut, Hex
3	532 17 42-91	Lower Handle	40	532 18 88-13	Frame, Grassbag
4	532 17 95-85	Rope Guide	41	532 05 45-83	Screw
5	532 13 20-04	Locknut, Hex 1/4-20	42	532 16 57-66	Spring, Rear Door, LH
6	532 19 15-74	Handle Bolt	43	532 16 57-67	Spring, Rear Door, RH
7	532 06 64-26	Wire Tie	44	532 18 41-93	Bolt, Rear Door
11	532 17 65-56	Engine Zone Control Cable	45	532 15 04-06	Hex Head Thread Rolling Screw 3/8-16 x 1
12	532 75 06-34	Hex Washer Head Screw #10-24 x 1/2	46	532 18 21-66	Danger Decal
13	532 12 52-03	Up-Stop Bracket	47	532 18 63-06	Hubcap
14	532 19 19-38	Handle Knob	48	532 19 01-55	Axle Arm Assembly, Rear, RH
15	532 05 17-93	Hairpin Cotter	50	532 19 54-52	Grassbag
17	532 17 41-12	Support Bracket	52	532 19 03-77	Kit, Lawn Housing Assembly
18	817 60 04-06	Screw			(Includes Key Numbers 17, 18 and 46)
19	532 18 92-77	Axle Arm Assembly, Front, LH	53	532 85 10-84	Hex Head Screw 3/8-24 x 1-3/8 Grade 8
20	532 18 92-78	Axle Arm Assembly, Front, RH	54	532 85 02-63	Helical Lockwasher
21	532 16 94-23	Footguard	55	532 85 10-74	Hardened Washer
22	532 16 85-99	Selector Spring, Front	56	532 16 58-33	21" Blade
23	532 18 66-12	Kit, Rear Door (Includes Springs)	57	532 85 15-14	Blade Adapter
24	873 93 05-00	Locknut, Hex 5/16-18	59	- - -	Engine, Briggs & Stratton, Model Number 10G902
25	532 17 41-05	Handle Bracket Assembly, LH			(Order parts from engine manufacturer)
26	532 17 41-06	Handle Bracket Assembly, RH	67	532 19 27-70	Clip, Cable
29	532 16 57-04	Wheel Adjusting Bracket, Front	- -	532 18 21-34	Warning Decal (not shown)
30	532 18 39-01	Spacer	- -	532 19 58-43	Operator's Manual, European
32	532 17 41-07	Selector Spring, Rear	- -	532 19 58-44	Operator's Manual, Scandinavian
33	532 08 78-77	Selector Knob			
34	532 19 01-56	Axle Arm Assembly, Rear, LH			
36	532 16 08-28	Shoulder Bolt 5/16-18			

NOTE: All component dimensions given in U.S. inches.
1 inch = 25.4 mm